



Main Features

- AMD G-series T56N 1.65GHz Dual Core APU
- Integrated AMD Radeon™ HD6320 GPU
- Fanless and compact design
- Low power consumption
- 2 x Mini-PCIe slot for TV tuner/ WLAN support
- 4 x USB ports
- DirectX 11 support

Product Overview

Powered by AMD G-series T56N Dual Core Accelerated Processing Unit, NDiS 127 can play rich multimedia contents but consumes little power. Integrated with AMD Radeon™ HD6320 Graphic Processing Unit in APU, NDiS 127 supports 1080P video playback and DirectX 11 to demonstrate high impact contents through dual displays.

NDiS 127 is housed in a maintenance-free fanless chassis with compact size. NDiS 127 is designed to fulfill small form factors, low cost, high reliability and low power requirement in digital signage application.

Specifications

CPU Support

- AMD G-series Dual Core processor T56N 1.65GHz onboard
- AMD Radeon™ HD6320 GPU in processor

Chipset

- AMD A55E Controller Hub

Main Memory

- 1 x 204-pin SO-DIMM sockets, Supports DDR3 1333/1066/800MHz non-ECC, un-buffered memory up to 4GB

I/O Interface-Front

- ATX power on switch
- 1 x HDD status LED (yellow)
- 1 x power status LED (green)

I/O Interface-Rear

- +12V DC-in
- 1 x DB9 for RS-232
- 4 x USB
- 1 x RJ45 Gigabit LAN connector with LED
- 1 x Line-out/1x Mic-in
- 1 x HDMI
- 1 x DB15 VGA
- 2 x antenna hole for Wi-Fi or TV tuner module

Storage

- 1 x SATA 2.5" HDD

Dimensions

- 185mm (W) x 147mm (D) x 48.4mm (H)
(7.1" x 5.7" x 1.9") w/o wall mount bracket

Power Supply

- 1 x External 50W AC/DC power adapter
Input : 100~240VAC
Output : +12VDC

Expansion

- 1 x Full Mini-PCIe for optional WLAN/TV tuner module
- 1 x half Mini-PCIe for optional WLAN/TV tuner module

Environment

- Operating temperature : 0°C to 40°C
- Storage temperature : -20°C to 80°C
- Humidity : 10 to 90% (non-condensing)

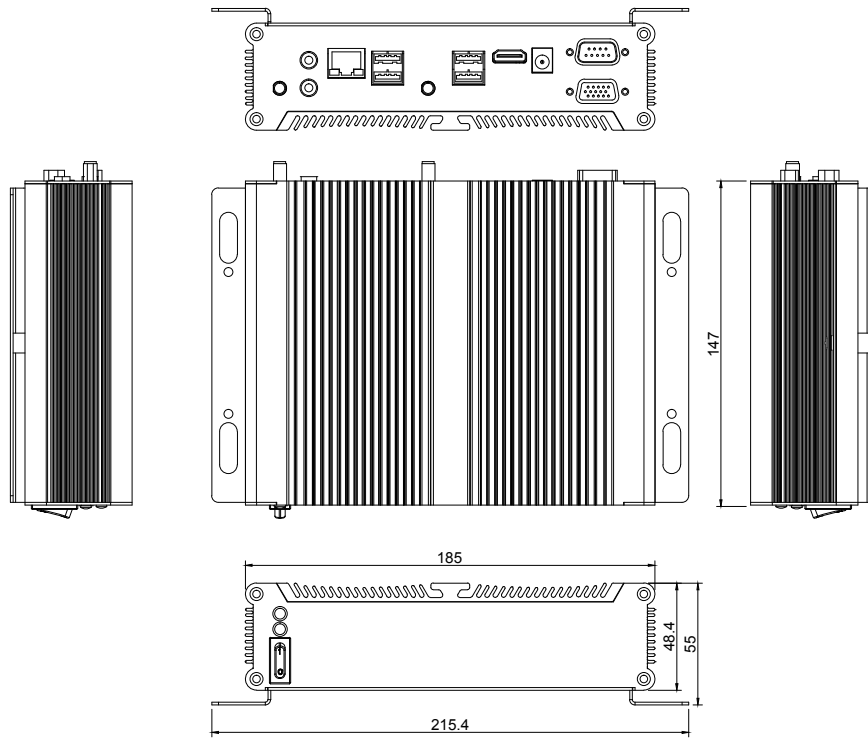
Certification

- CE approval
- FCC Class A

Operating System

- Windows 7/XP/WES7/WES2009/Linux

Dimension Drawing



Ordering Information

- **NDiS 127 (P/N : 10W0012700X0)**
AMD G-series Dual Core processor T56N 1.65GHz, AMD Radeon™
HD6320 GPU in processor, AMD A55E Controller Hub